

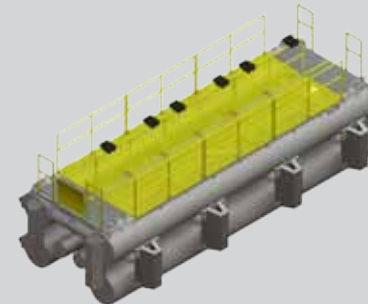
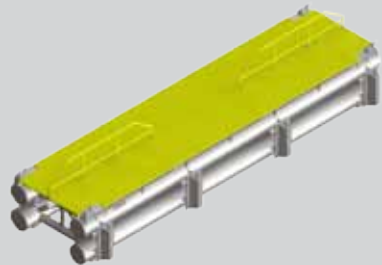


MARITIME  
*International*



## NAVAL PRODUCTS DIVISION

Headquartered in Broussard, Louisiana, USA, Maritime International began as a full service marine engineering and fabrication company specializing in marine fender systems. The genesis of Maritime's Naval Products Division occurred through the evolution and expansion of the company in the late 1990's. Since then, the Naval Products Division has been providing products to the U.S. Navy, Coast Guard and Army featuring the latest in vessel berthing and mooring solutions. Our design and fabrication team works with military and civilian personnel, deriving cost effective technical solutions for their specific needs.





With a full complement of products already in place coupled with our ability to custom design, engineer, fabricate and test new concepts, Maritime International can provide a multitude of products and services utilized for berthing and mooring of submarines and surface ships, port security, environmental protection and more. Maritime International's global network of sales and engineering professionals has expanded our client base to allied military forces around the world. Submarine and surface ship camels and separators, multi-tier paint floats, composite boom guides and separators, work barges, mooring bitts and other custom designed naval products are now available to military facilities, adding to their versatility and increasing their forces' operational readiness.

