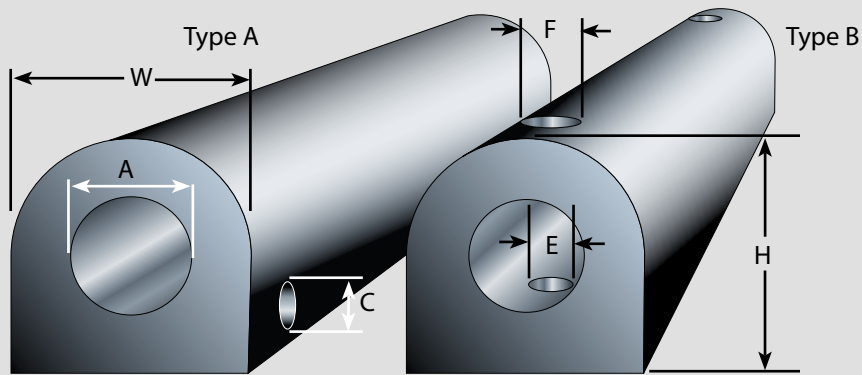


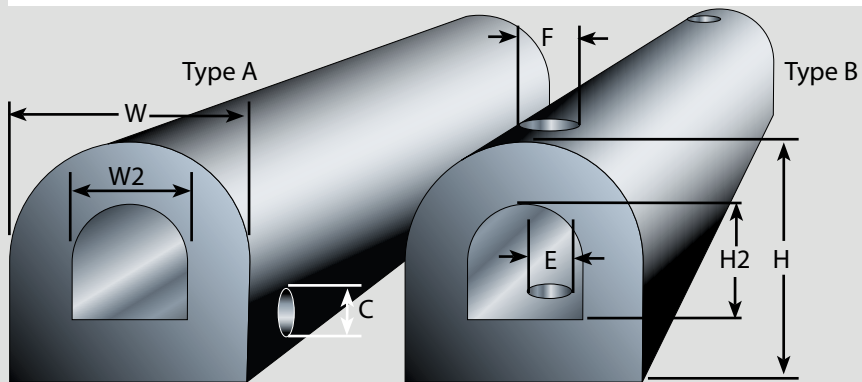
## PROFILE FENDERS

## MDO D•O-BORE RUBBER FENDERS



MDO Fenders								
all dimensions are in inches								
H	6	8	10	12	14	16	20	24
W	6	8	10	12	14	16	20	24
A (ø)	3	4	5	6	7	8	10	12
C/E (ø)	1 1/16	1 3/16	1 5/16	1 7/16	1 9/16	1 3/4	1 15/16	2 3/16
F (ø)	2 3/8	2 9/16	2 15/16	3 1/8	3 3/8	3 3/4	4 1/8	4 1/2
Bolt Size	W 7/8	W1	W1 1/8	W1 1/4	W1 3/8	W1 1/2	W1 3/4	W2
all dimensions are in millimeters								
H	150	200	250	300	350	400	500	600
W	150	200	250	300	350	400	500	600
A (ø)	75	100	125	150	175	200	250	300
C/E (ø)	27	30	33	36	40	45	50	55
F (ø)	60	65	75	80	85	95	105	115
Bolt Size	22	25	29	32	35	38	44	50

## MDD D•D-BORE RUBBER FENDERS



MDD Fenders								
all dimensions are in inches								
H	6	8	10	12	14	16	20	24
W	6	8	10	12	14	16	20	24
C/E (ø)	1 1/16	1 3/16	1 5/16	1 7/16	1 9/16	1 3/4	1 15/16	2 3/16
F (ø)	2 3/8	2 9/16	2 15/16	3 1/8	3 3/8	3 3/4	4 1/8	4 1/2
Bolt Size	W 7/8	W1	W1 1/8	W1 1/4	W1 3/8	W1 1/2	W1 3/4	W2
all dimensions are in millimeters								
H	150	200	250	300	350	400	500	600
W	150	200	250	300	350	400	500	600
C/E (ø)	27	30	33	36	40	45	50	55
F (ø)	60	65	75	80	85	95	105	115
Bolt Size	22	25	29	32	35	38	44	50