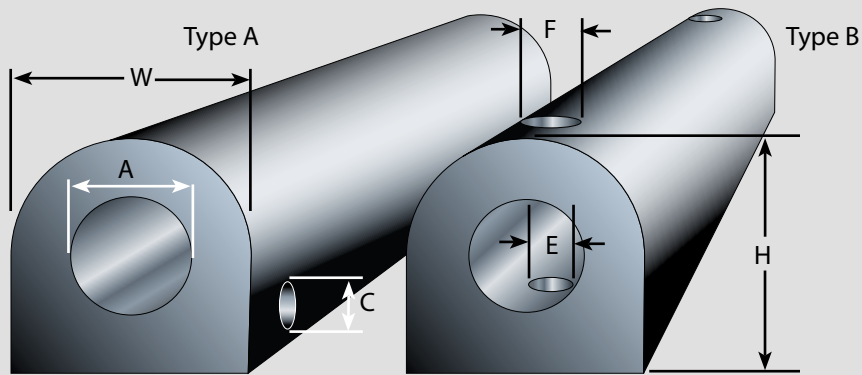


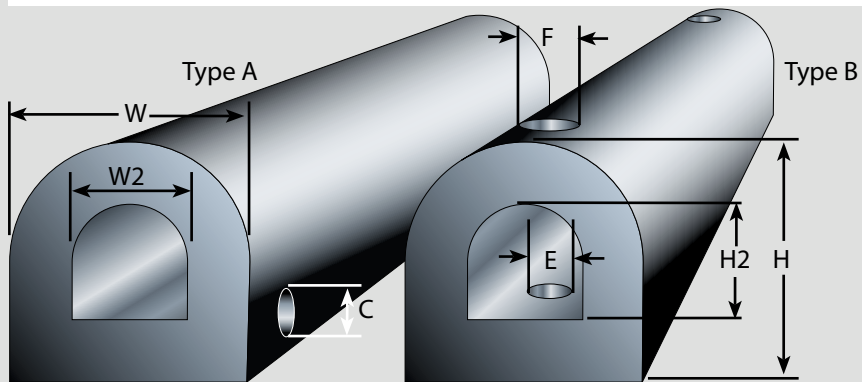
PROFILE FENDERS

MDO D•O-BORE RUBBER FENDERS



MDO Fenders								
all dimensions are in inches								
H	6	8	10	12	14	16	20	24
W	6	8	10	12	14	16	20	24
A (ø)	3	4	5	6	7	8	10	12
C/E (ø)	1 1/16	1 3/16	1 5/16	1 7/16	1 9/16	1 3/4	1 15/16	2 3/16
F (ø)	2 3/8	2 9/16	2 15/16	3 1/8	3 3/8	3 3/4	4 1/8	4 1/2
Bolt Size	W 7/8	W1	W1 1/8	W1 1/4	W1 3/8	W1 1/2	W1 3/4	W2
all dimensions are in millimeters								
H	150	200	250	300	350	400	500	600
W	150	200	250	300	350	400	500	600
A (ø)	75	100	125	150	175	200	250	300
C/E (ø)	27	30	33	36	40	45	50	55
F (ø)	60	65	75	80	85	95	105	115
Bolt Size	22	25	29	32	35	38	44	50

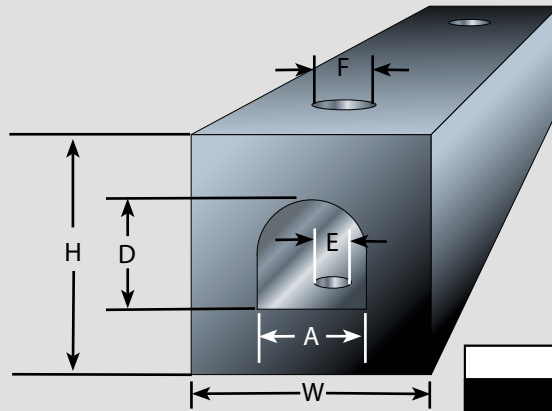
MDD D•D-BORE RUBBER FENDERS



MDD Fenders								
all dimensions are in inches								
H	6	8	10	12	14	16	20	24
W	6	8	10	12	14	16	20	24
C/E (ø)	1 1/16	1 3/16	1 5/16	1 7/16	1 9/16	1 3/4	1 15/16	2 3/16
F (ø)	2 3/8	2 9/16	2 15/16	3 1/8	3 3/8	3 3/4	4 1/8	4 1/2
Bolt Size	W 7/8	W1	W1 1/8	W1 1/4	W1 3/8	W1 1/2	W1 3/4	W2
all dimensions are in millimeters								
H	150	200	250	300	350	400	500	600
W	150	200	250	300	350	400	500	600
C/E (ø)	27	30	33	36	40	45	50	55
F (ø)	60	65	75	80	85	95	105	115
Bolt Size	22	25	29	32	35	38	44	50

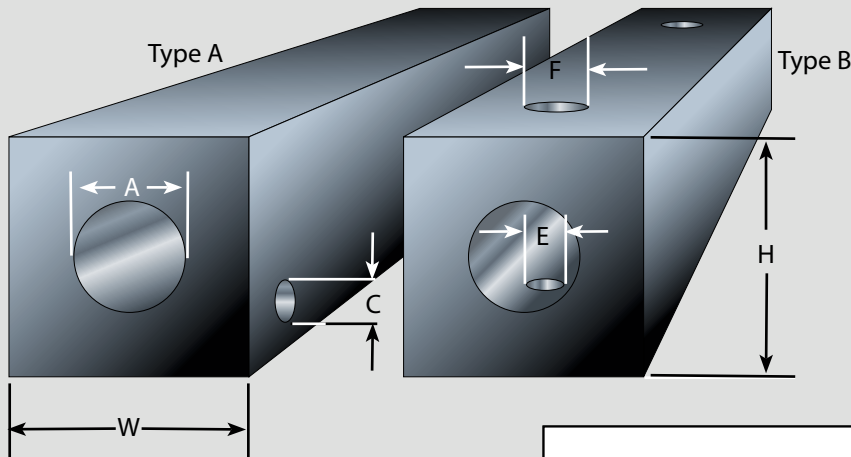
PROFILE FENDERS

MSD SQUARE D-BORE RUBBER FENDERS



MSD Fenders								
all dimensions are in inches								
H	4	6	8	10	12	16	20	
W	4	6	8	10	12	16	20	
A	2	3	4	5	6	8	10	
D	2	3	4	5	6	8	10	
E (∅)	9/16	13/16	1	1 3/16	1 3/16	1 3/8	1 3/4	
F (∅)	1 3/16	1 9/16	1 15/16	2 3/8	2 3/8	2 15/16	3 9/16	
Bolt Size	1/2	5/8	13/16	1	1	1 1/4	1 1/2	
all dimensions are in millimeters								
H	100	150	200	250	300	400	500	
W	100	150	200	250	300	400	500	
A	50	75	100	125	150	200	250	
D	50	75	100	125	150	200	250	
E (∅)	15	20	25	30	30	35	45	
F (∅)	30	40	50	60	60	75	90	
Bolt Size	M12	M16	M20	M24	M24	M30	M36	

MSO SQUARE O-BORE RUBBER FENDERS



MSO Fenders								
all dimensions are in inches								
H	6	8	10	12	14	16	20	24
W	6	8	10	12	14	16	20	24
A (∅)	3	4	5	6	7	8	10	12
C/E (∅)	1 1/16	1 3/16	1 5/16	1 7/16	1 9/16	1 3/4	1 15/16	2 3/16
F (∅)	2 3/8	2 9/16	2 15/16	3 1/8	3 3/8	3 3/4	4 1/8	4 1/2
Bolt Size	W 7/8	W1	W1 1/8	W1 1/4	W1 3/8	W1 1/2	W1 3/4	W2
all dimensions are in millimeters								
H	150	200	250	300	350	400	500	600
W	150	200	250	300	350	400	500	600
A (∅)	75	100	125	150	175	200	250	300
C/E (∅)	27	30	33	36	40	45	50	55
F (∅)	60	65	75	80	85	95	105	115
Bolt Size	22	25	29	32	35	38	44	50