



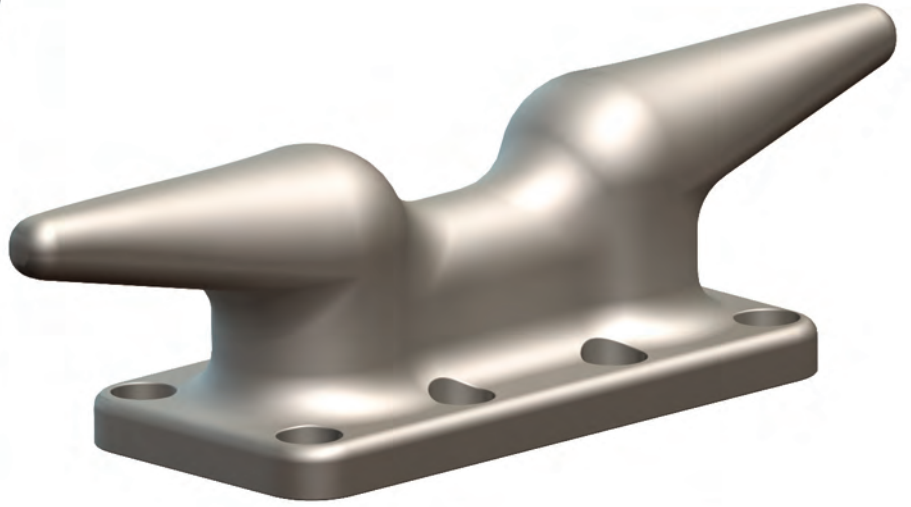
MOORING BOLLARDS



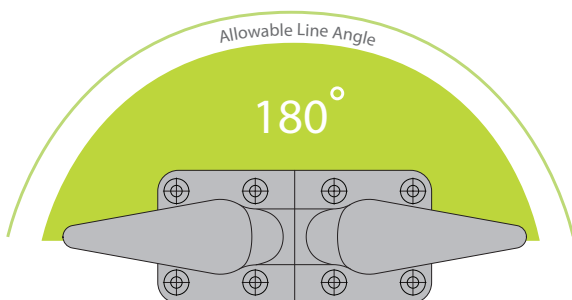
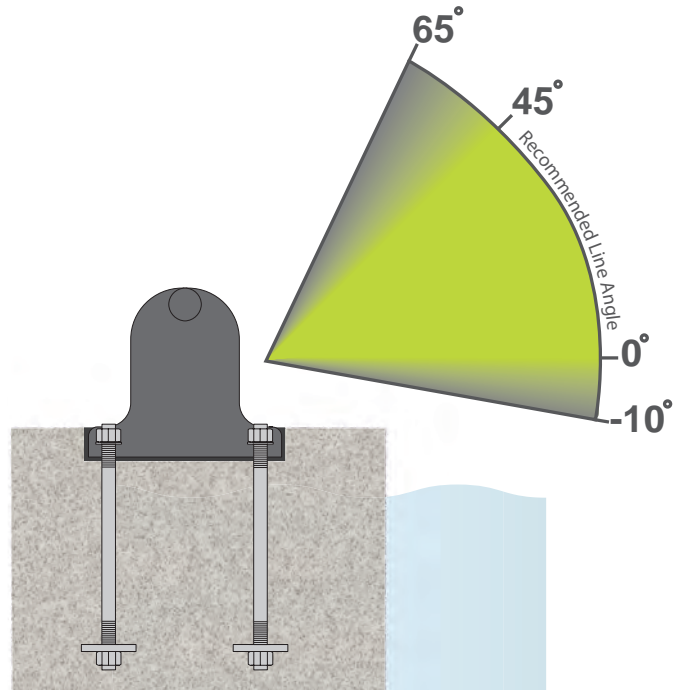
MARITIME
International

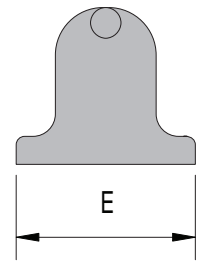
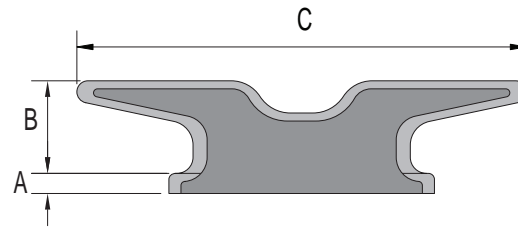
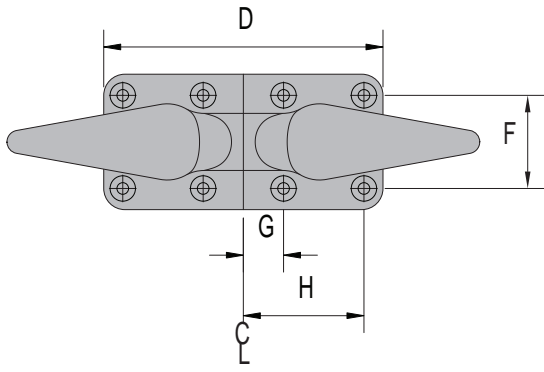


MC CLEATS

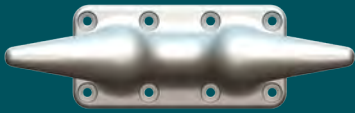


LOAD ANGLE RECOMMENDATIONS





DIMENSIONS AND CAPACITIES



Cleats ¹					
Imperial Dimensions (inches)	MC 24	MC 30	MC 36	MC 42	MC 54
A	1-3/4	2	2	2	2-1/2
B	6-1/4	7	8	9	11-1/2
C	24	30	36	42	54
D	16	20	24	26	33
E	8-1/2	10-1/2	12	12	16
F	5-1/2	7	8-1/4	8-1/2	11
G	-	-	-	3-3/4	4-3/4
H	6-1/2	8	10	11-1/4	14-1/4
Bolt Size	3/4	1	1	1	1-1/8
Bolt Length	12	18	18	18	18
Qty	6	6	6	8	8

Cleats ¹					
Metric Dimensions (mm)	MC 24	MC 30	MC 36	MC 42	MC 54
A	44	51	51	51	64
B	159	178	203	229	292
C	610	762	914	1067	1371
D	406	508	610	660	838
E	216	267	305	305	406
F	140	178	209	216	279
G	-	-	-	95	121
H	165	203	254	285	362
Bolt Size	M20	M24	M24	M24	M30
Bolt Length	300	460	460	460	460
Qty	6	6	6	8	8

¹Cleat nomenclature is not based on load rating. Model numbers are based on length in inches.



WWW.MARITIME-INTERNATIONAL.COM

USA

PH: +1 337-321-4240
FX: +1 337-321-4241
USA@maritime-international.com

Middle East

PH: +971 6 747 9731
FX: +971 6 747 9732
MiddleEast@maritime-international.com

France

PH: +33 1 30 25 02 30
FX: +33 1 30 25 02 09
France@maritime-international.com

Latin America

PH: +1 337-321-4272
FX: +1 337-321-4241
LatAM@maritime-international.com

Europe

PH: +44 (0) 1579 382 469
FX: +44 (0) 870 706 2805
WesternEurope@maritime-international.com
EasternEurope@maritime-international.com

Belgium

PH: +32 2 375 36 16
FX: +32 2 375 09 47
info@maritime-international.com

China

PH: 86 10 88550346
FX: 86 10 88551702
info@maritime-international.com