



MOORING BOLLARDS



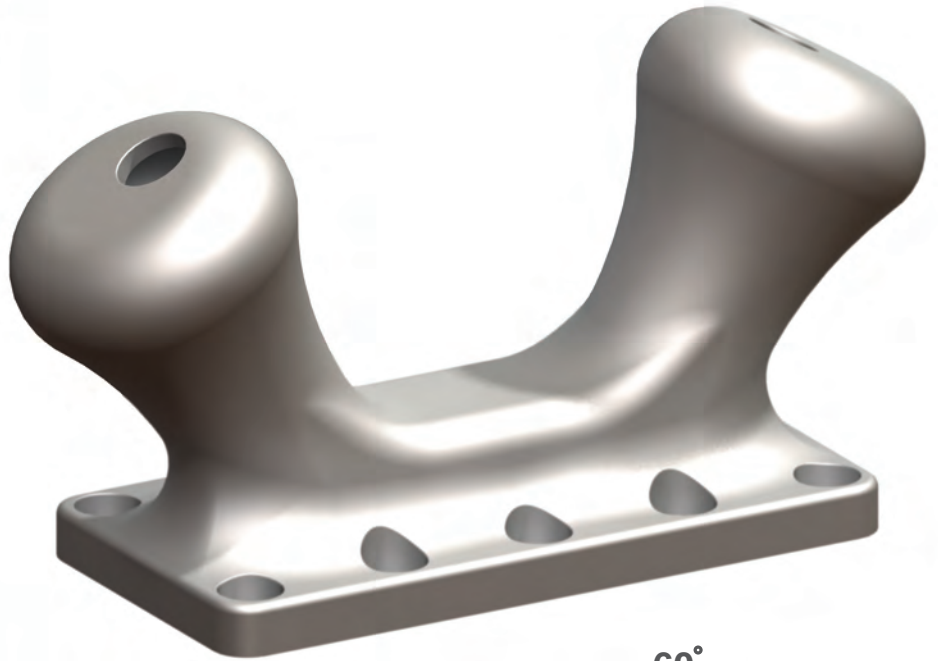
MARITIME
International



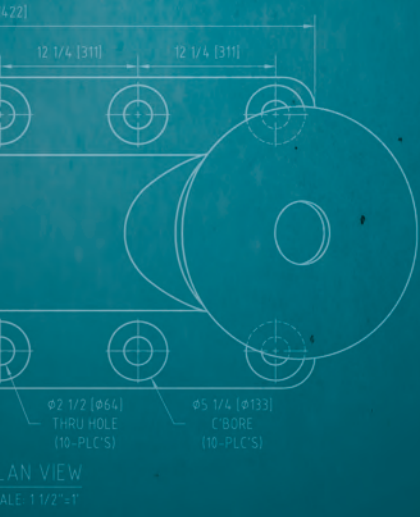
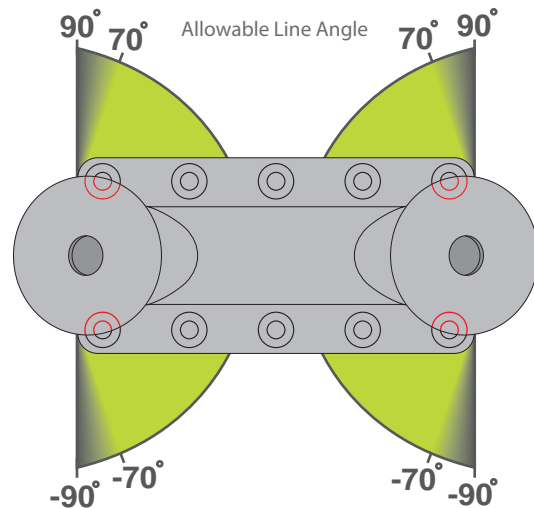
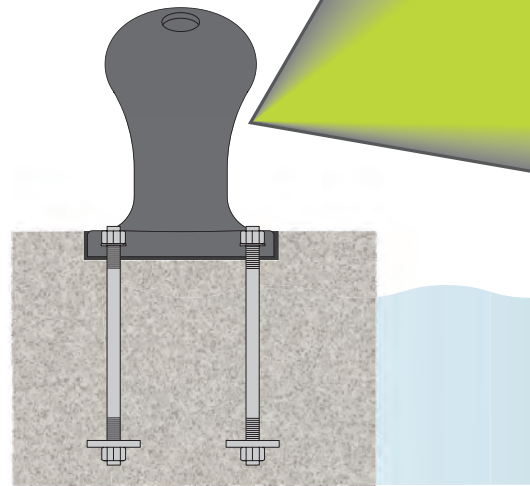
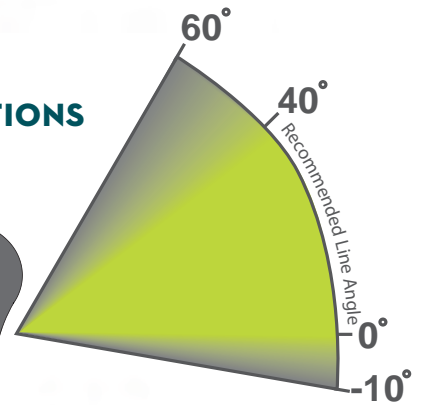
MDB

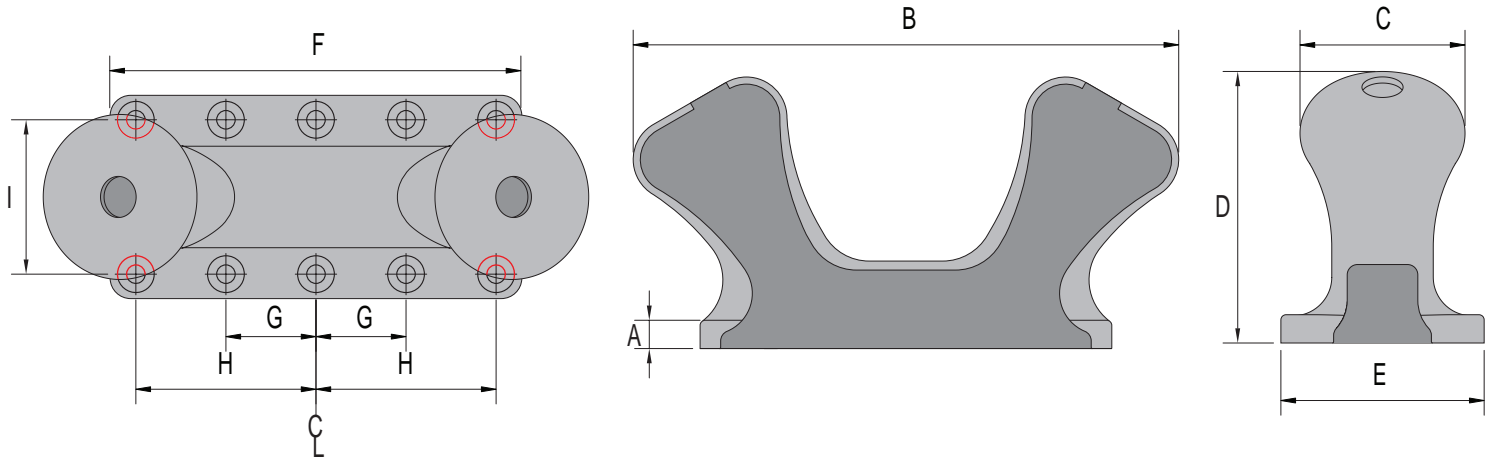
DOUBLE BITT

BOLLARDS

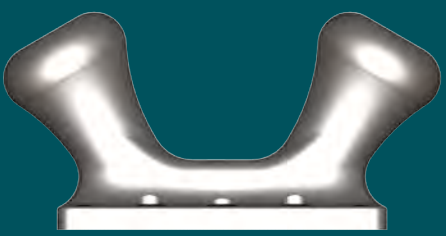
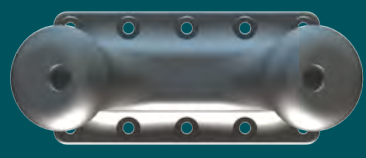


LOAD ANGLE RECOMMENDATIONS





DIMENSIONS AND CAPACITIES



Standard Bollard Capacity (Metric Tonnes)

Imperial Dimensions (inches)	MDB 20	MDB 30	MDB 50	MDB 75	MDB 100	MDB 125	MDB 150	MDB 200
A	1-1/2	1-3/4	2-1/8	2-1/2	2-7/8	3-1/8	3-5/8	3-7/8
B	26-1/2	30-3/4	37-1/8	45	53	61	66-1/4	74-1/4
C	8	9-1/4	11-1/4	13-5/8	16	18-3/8	20	22-1/2
D	13-1/4	15-1/4	18-1/2	22-3/8	26-3/8	30-3/8	33	36-7/8
E	10-1/2	11-7/8	14	17	20	23	25	27-5/8
F	21	23-3/4	28	34	40	46	50	56
G	2-3/4	3-1/4	3-7/8	7-1/2	8-3/4	10-1/8	11	12-1/4
H	8-3/4	10-1/8	12-1/4	15	17-1/2	20-1/4	22	24-1/2
I	7-1/2	8-3/4	10-1/2	12-3/4	15	17-1/4	18-3/4	21
Bolt Size	3/4	7/8	1-1/8	1-1/4	1-1/2	1-3/4	2	2-1/4
Bolt Length	12	12	18	18	24	30	36	36
Bolt Qty	8	8	8	10	10	10	10	10

Standard Bollard Capacity (Metric Tonnes)

Metric Dimensions (mm)	MDB 20	MDB 30	MDB 50	MDB 75	MDB 100	MDB 125	MDB 150	MDB 200
A	38	46	56	62	73	80	91	98
B	673	781	942	1144	1346	1548	1683	1885
C	204	236	285	346	407	468	509	570
D	335	389	469	570	670	771	838	938
E	267	302	356	432	508	584	635	702
F	533	604	711	864	1016	1168	1270	1422
G	70	81	98	189	222	256	278	311
H	222	258	311	378	444	512	556	622
I	191	221	267	324	381	438	476	533
Bolt Size	M20	M22	M30	M36	M42	M42	M48	M56
Bolt Length	300	300	450	450	600	600	750	915
Bolt Qty	8	8	8	10	10	10	10	10



WWW.MARITIME-INTERNATIONAL.COM

USA

PH: +1 337-321-4240
FX: +1 337-321-4241
USA@maritime-international.com

Middle East

PH: +971 6 747 9731
FX: +971 6 747 9732
MiddleEast@maritime-international.com

France

PH: +33 1 30 25 02 30
FX: +33 1 30 25 02 09
France@maritime-international.com

Latin America

PH: +1 337-321-4272
FX: +1 337-321-4241
LatAM@maritime-international.com

Europe

PH: +44 (0) 1579 382 469
FX: +44 (0) 870 706 2805
WesternEurope@maritime-international.com
EasternEurope@maritime-international.com

Belgium

PH: +32 2 375 36 16
FX: +32 2 375 09 47
info@maritime-international.com

China

PH: 86 10 88550346
FX: 86 10 88551702
info@maritime-international.com