



MOORING BOLLARDS



MARITIME
International



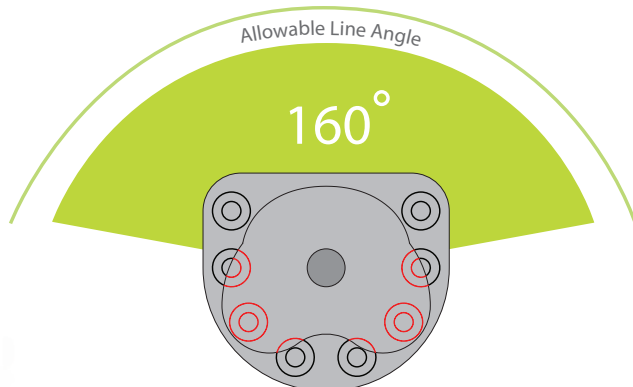
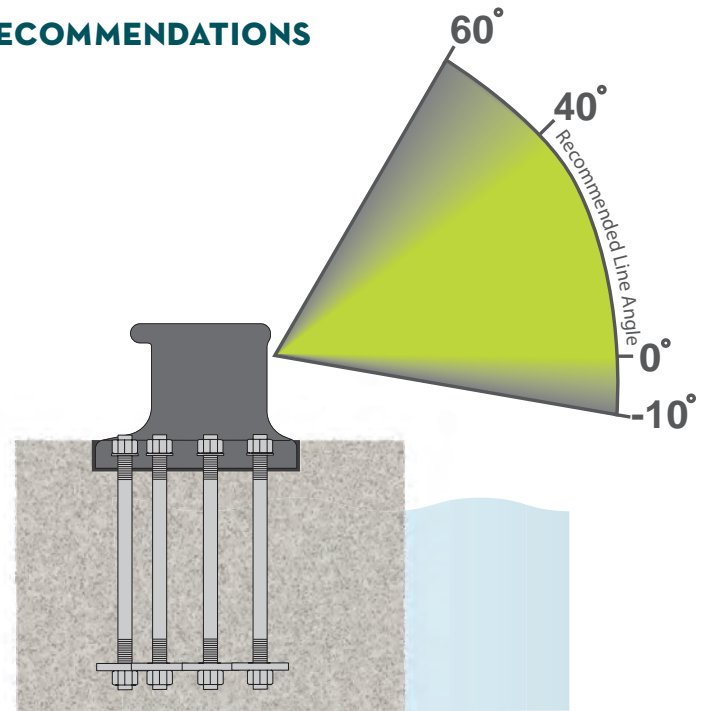
MK

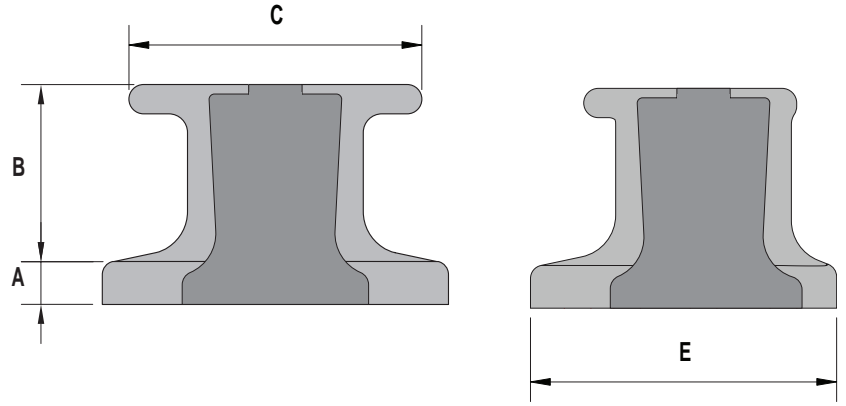
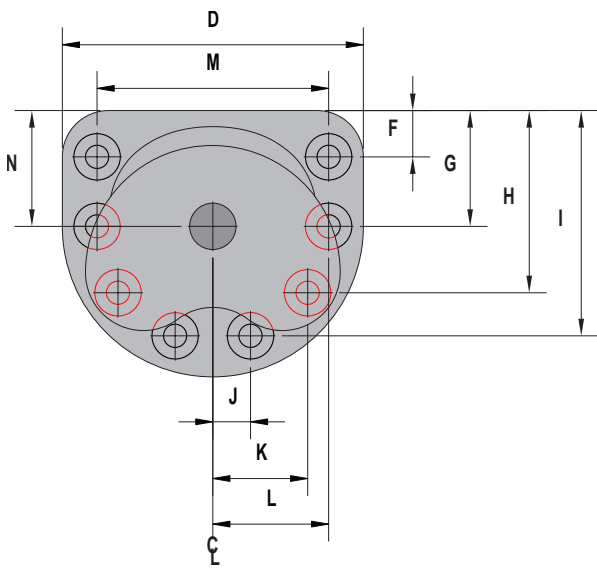
KIDNEY BOLLARDS



AN VIEW
E 1 1/2"=1"

LOAD ANGLE RECOMMENDATIONS





DIMENSIONS AND CAPACITIES



Standard Bollard Capacity (Metric Tonnes)

Imperial Dimensions (inches)	MK 15	MK 20	MK 30	MK 50	MK 75	MK 100	MK 125	MK 150	MK 200
A	1-5/8	2	2-1/8	2-3/8	2-3/4	3-1/8	3-1/2	3-3/4	4-3/8
B	7-5/8	8-1/2	10-1/8	10-3/8	11-3/4	13-3/8	14-3/4	16-1/8	18
C	10-7/8	13	15-1/8	16-1/4	19	21-5/8	23-7/8	26	29-7/8
D	12-3/4	15-3/8	17-7/8	19-1/4	22-3/8	25-5/8	28-1/8	30-3/4	35-3/8
E	11-3/8	13-5/8	15-7/8	17	19-3/4	22-5/8	24-7/8	27-1/8	31-1/4
F	2	2-3/8	2-3/4	3	3-1/2	3-7/8	4-3/8	4-3/4	5-3/8
G	-	-	-	-	9-3/8	10-3/4	11-3/4	12-7/8	13-5/8
H	-	8-3/8	10-1/8	8-7/8	15	17-1/8	18-7/8	20-5/8	21-3/8
I	8-3/8	11-3/4	13-3/4	13-7/8	17-1/4	19-5/8	21-5/8	23-5/8	26-3/8
J	3-1/2	0	0	3-1/2	0	0	0	0	4-3/8
K	-	5-3/8	6	7-1/4	5-3/4	6-5/8	7-1/4	7-7/8	11-1/8
L	-	-	-	-	8-5/8	9-3/4	10-3/4	11-3/4	13-5/8
M	9-7/8	11-3/4	13-3/4	14-3/4	17-1/4	19-5/8	21-5/8	23-5/8	27-1/8
N	4-7/8	5-7/8	6-7/8	7-3/8	8-5/8	9-7/8	10-7/8	11-3/4	13-5/8
Bolt Size	1	1	1-1/8	1-3/8	1-1/2	1-3/4	2	2	2-1/4
Bolt Length	18	18	18	24	24	30	36	36	36
Bolt Qty	4	5	5	6	7	7	7	7	8

Standard Bollard Capacity (Metric Tonnes)

Metric Dimensions (mm)	MK 15	MK 20	MK 30	MK 50	MK 75	MK 100	MK 125	MK 150	MK 200
A	41	51	54	60	70	79	89	95	111
B	194	216	257	264	298	340	375	410	457
C	275	330	385	413	481	550	605	660	759
D	325	390	455	488	569	650	715	780	897
E	288	345	402	431	503	575	632	690	793
F	50	60	70	75	88	100	110	120	138
G	-	-	-	-	238	272	299	326	345
H	-	213	258	226	381	436	479	523	543
I	213	300	350	353	438	500	550	600	671
J	88	0	0	88	0	0	0	0	112
K	-	136	154	183	146	167	184	201	283
L	-	-	-	-	218	249	274	299	345
M	250	300	350	375	438	500	550	600	690
N	125	150	175	188	219	250	275	300	345
Bolt Size	M24	M24	M30	M36	M36	M42	M48	M56	M56
Bolt Length	450	450	450	600	600	600	750	915	915
Bolt Qty	4	5	5	6	7	7	7	7	8



WWW.MARITIME-INTERNATIONAL.COM

USA

PH: +1 337-321-4240

FX: +1 337-321-4241

USA@maritime-international.com

Middle East

PH: +971 6 747 9731

FX: +971 6 747 9732

MiddleEast@maritime-international.com

France

PH: +33 1 30 25 02 30

FX: +33 1 30 25 02 09

France@maritime-international.com

Latin America

PH: +1 337-321-4272

FX: +1 337-321-4241

LatAM@maritime-international.com

Europe

PH: +44 (0) 1579 382 469

FX: +44 (0) 870 706 2805

WesternEurope@maritime-international.com

EasternEurope@maritime-international.com

Belgium

PH: +32 2 375 36 16

FX: +32 2 375 09 47

info@maritime-international.com

China

PH: 86 10 88550346

FX: 86 10 88551702

info@maritime-international.com