



MOORING BOLLARDS



MARITIME
International



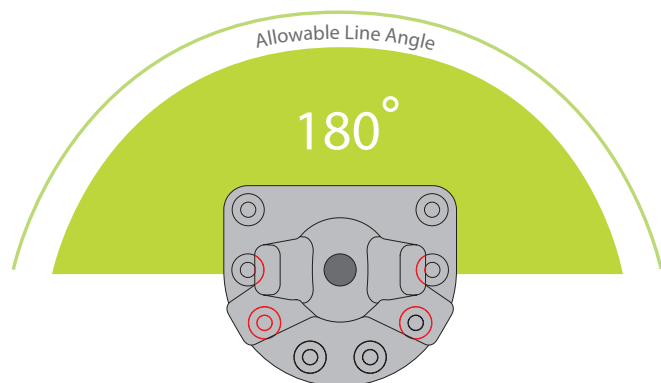
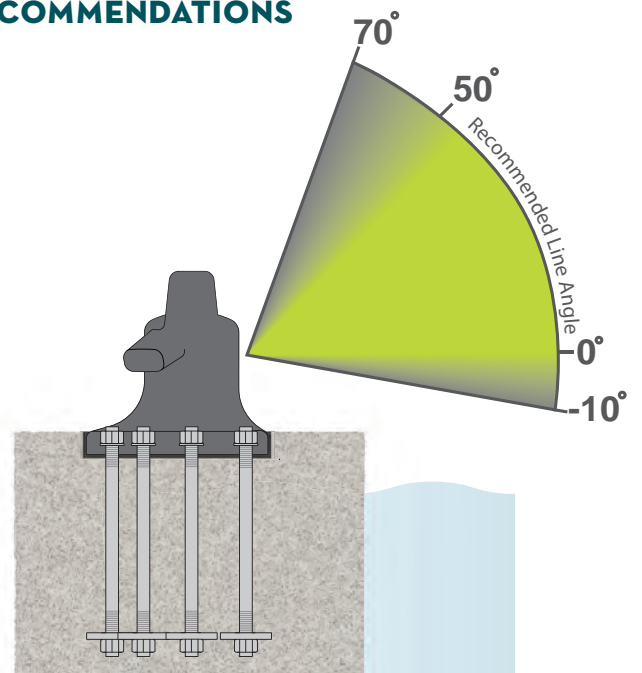
MSH

STAGHORN

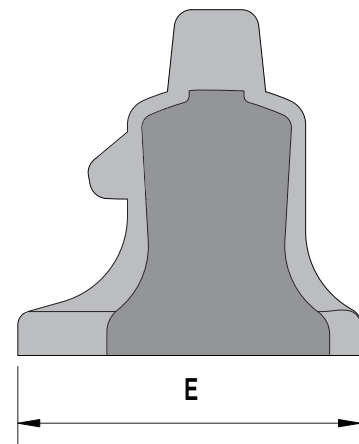
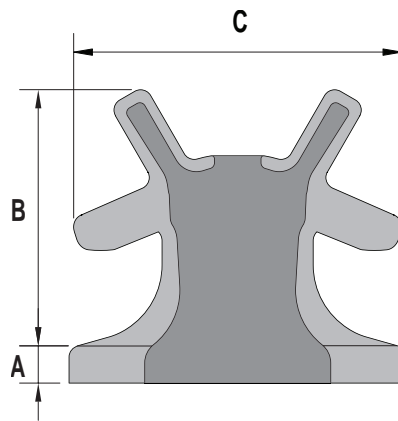
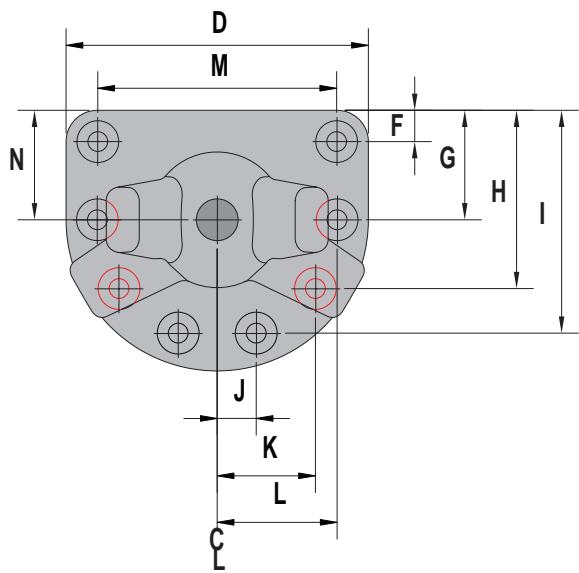
BOLLARDS



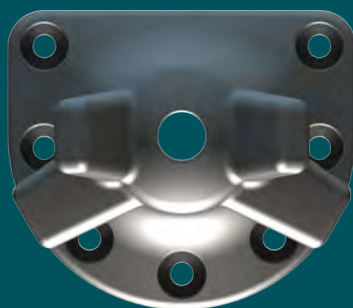
LOAD ANGLE RECOMMENDATIONS



FRONT VIEW
SCALE 2"=1"



DIMENSIONS AND CAPACITIES



Standard Bollard Capacity (Metric Tonnes)

Imperial Dimensions (inches)	MSH 10	MSH 15	MSH 20	MSH 30	MSH 50	MSH 75	MSH 100	MSH 125	MSH 150	MSH 200
A	1-5/8	1-3/4	2	2-1/8	2-3/8	2-7/8	3-1/4	3-1/2	3-3/4	4
B	11-3/8	12-5/8	13-5/8	15-1/2	16-3/8	19-1/4	22	24-1/4	26-1/2	27-1/2
C	13-3/4	15-1/2	16-7/8	19	20-1/4	24-5/8	28-1/4	31	33-7/8	35-1/4
D	15	16-1/2	17-3/8	19-5/8	20-7/8	25-3/8	29	31-7/8	34-3/4	36-1/4
E	13	14-1/4	15	16-7/8	18	21-7/8	25	27-1/2	30	31-1/4
F	1-3/4	1-7/8	1-3/4	2	2-1/8	2-5/8	3	3-1/4	3-5/8	3-3/4
G	-	-	-	-	-	-	11-1/2	12-5/8	13-3/4	13-1/8
H	-	-	9-1/4	10-3/8	11	11-1/4	19	21	22-7/8	21-3/8
I	9-5/8	10-1/2	13-1/4	14-7/8	15-7/8	18-1/8	22	24-1/4	26-3/8	26-3/4
J	4-1/8	4-1/2	0	0	0	4-3/4	0	0	0	4-5/8
K	-	-	6-1/4	7	7-1/2	9-7/8	7-3/4	8-1/2	9-1/4	11-3/4
L	-	-	-	-	-	-	11-1/2	12-5/8	13-3/4	14-3/8
M	11-1/2	12-5/8	13-3/4	15-1/2	16-1/2	20	22-7/8	25-1/4	27-1/2	28-5/8
N	5-1/2	6	6-1/4	7-1/8	7-1/2	9-1/8	10-1/2	11-1/2	12-5/8	13-1/8
Bolt Size	1	1	1	1-1/8	1-3/8	1-1/2	1-3/4	1-3/4	2	2
Bolt Length	18	18	18	18	24	24	30	30	36	36
Bolt Qty	4	4	5	5	5	6	7	7	7	8

Standard Bollard Capacity (Metric Tonnes)

Metric Dimensions (mm)	MSH 10	MSH 15	MSH 20	MSH 30	MSH 50	MSH 75	MSH 100	MSH 125	MSH 150	MSH 200
A	41	45	49	55	59	71	81	90	98	102
B	291	320	349	392	419	489	559	615	671	699
C	348	394	430	483	516	627	717	788	860	896
D	381	419	442	497	530	645	737	810	884	921
E	330	363	381	429	457	556	635	699	762	794
F	44	49	46	51	55	67	76	84	91	95
G	-	-	-	-	-	-	292	321	351	333
H	-	-	234	263	281	287	484	532	581	543
I	243	267	335	377	402	459	559	615	671	679
J	103	114	0	0	0	120	0	0	0	119
K	-	-	159	179	191	250	195	215	235	299
L	-	-	-	-	-	-	291	320	349	365
M	291	320	349	393	419	509	582	640	698	727
N	140	154	160	180	192	233	267	293	320	333
Bolt Size	M24	M24	M24	M30	M36	M42	M42	M48	M48	M56
Bolt Length	450	450	450	450	600	600	600	750	750	915
Bolt Qty	4	4	5	5	5	6	7	7	7	8



WWW.MARITIME-INTERNATIONAL.COM

USA

PH: +1 337-321-4240

FX: +1 337-321-4241

USA@maritime-international.com

Middle East

PH: +971 6 747 9731

FX: +971 6 747 9732

MiddleEast@maritime-international.com

France

PH: +33 1 30 25 02 30

FX: +33 1 30 25 02 09

France@maritime-international.com

Latin America

PH: +1 337-321-4272

FX: +1 337-321-4241

LatAM@maritime-international.com

Europe

PH: +44 (0) 1579 382 469

FX: +44 (0) 870 706 2805

WesternEurope@maritime-international.com

EasternEurope@maritime-international.com

Belgium

PH: +32 2 375 36 16

FX: +32 2 375 09 47

info@maritime-international.com

China

PH: 86 10 88550346

FX: 86 10 88551702

info@maritime-international.com