

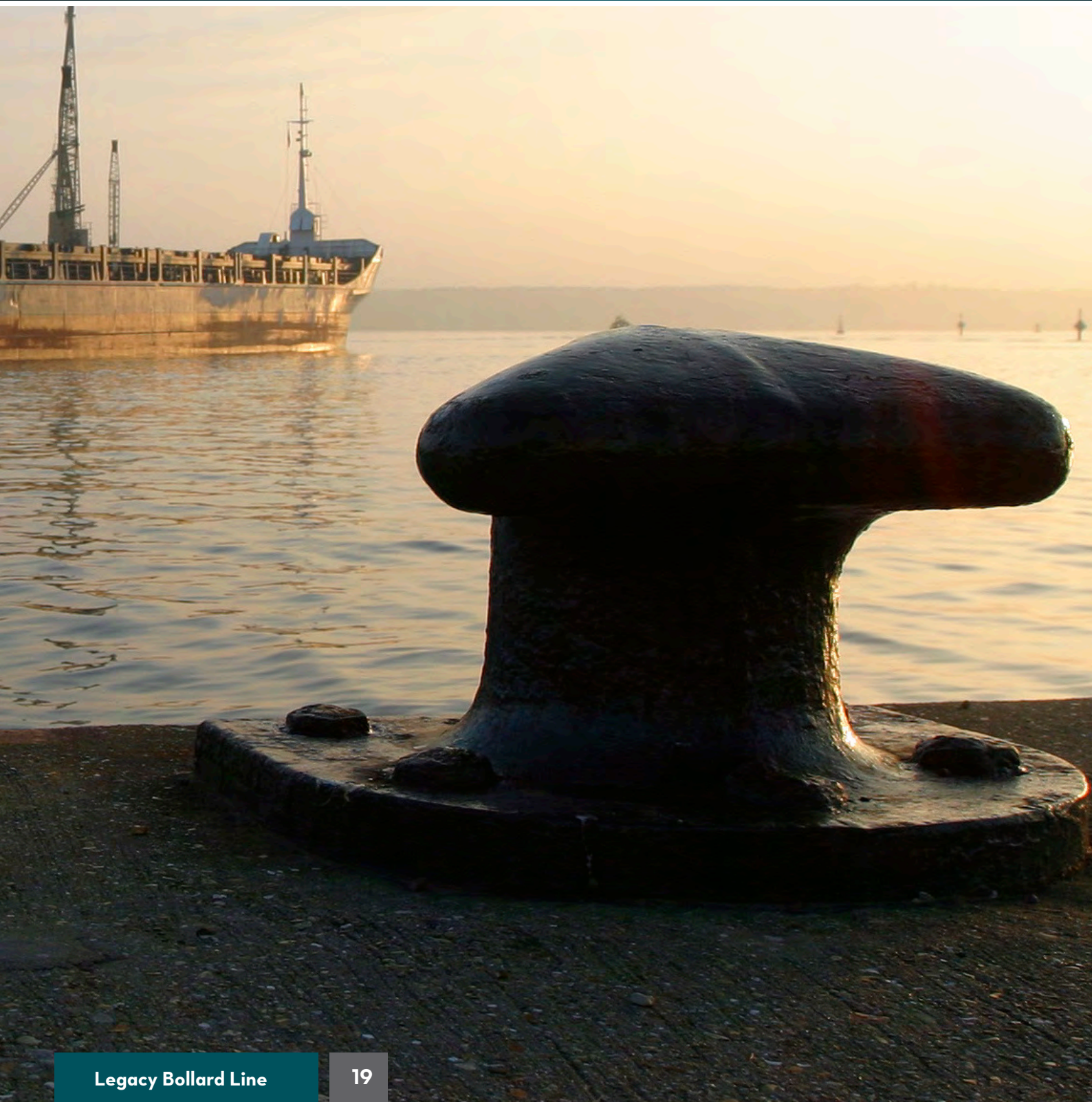


MOORING BOLLARDS



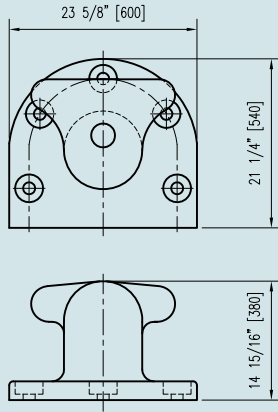
MARITIME
International

Maritime offers a line of legacy bollards for drop-in replacement of older models that may have been in the field for many years. These bollards are historically used to match existing bolt patterns to reduce installation costs for new bollards. However, for new construction applications, Maritime recommends utilization of the standard optimized bollard range. **Please note: our legacy bollard model numbers make no reference to capacity. Contact Maritime International for specific legacy model capacities and safety factors.**

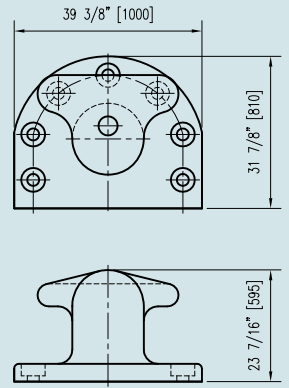




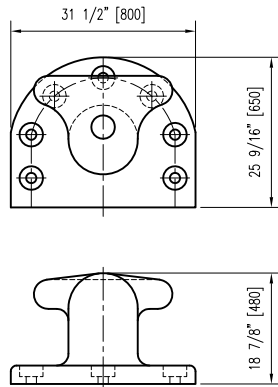
T301



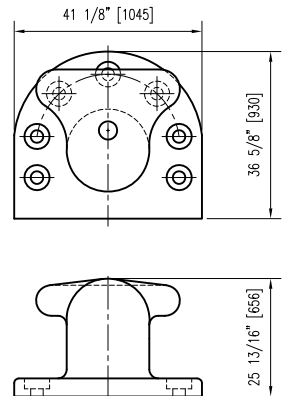
T1001



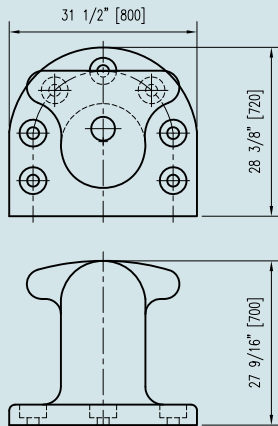
T501



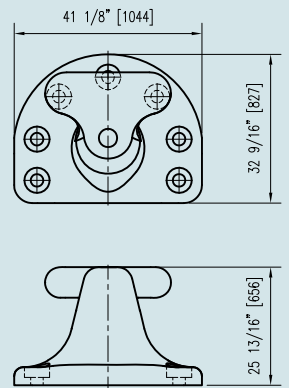
T1501



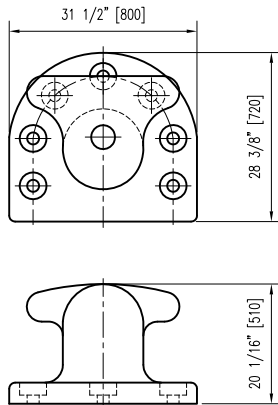
T701



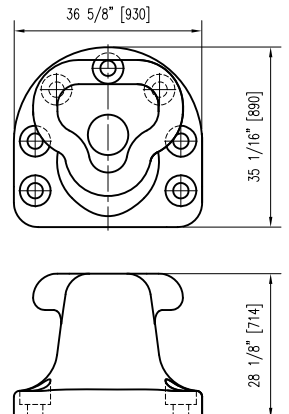
T1504



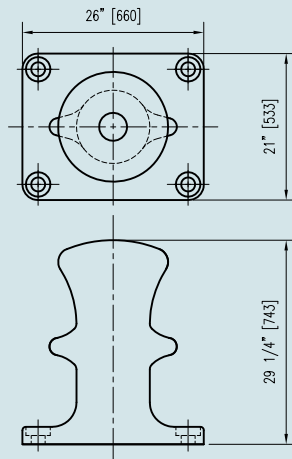
T751



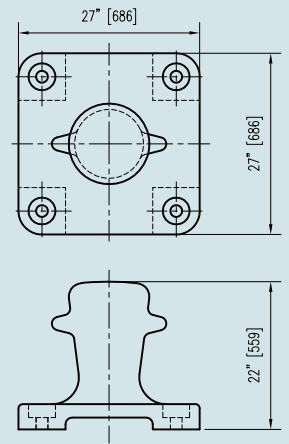
T2001



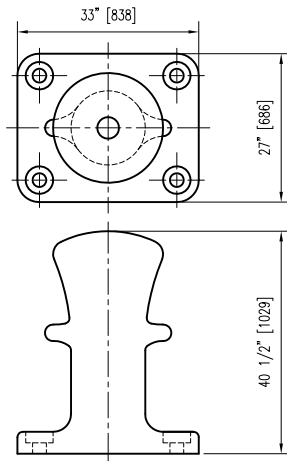
SB201



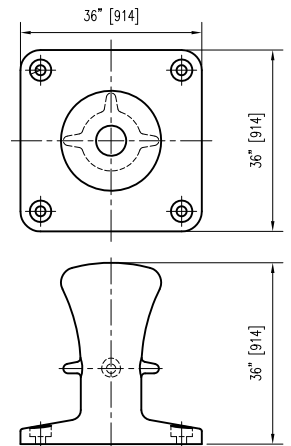
SB401



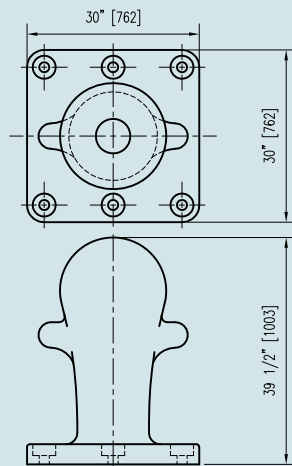
SB251



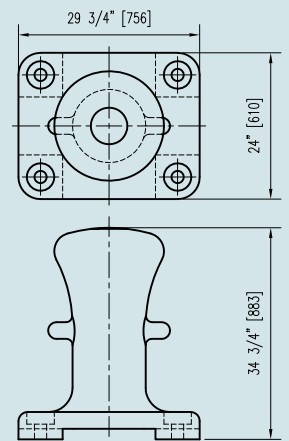
SB501



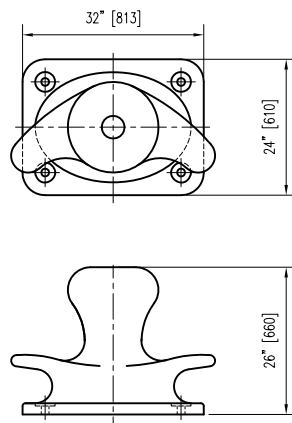
SB301



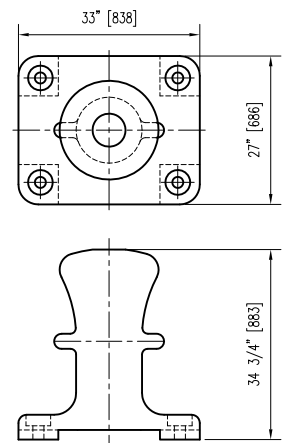
SB651



SB351

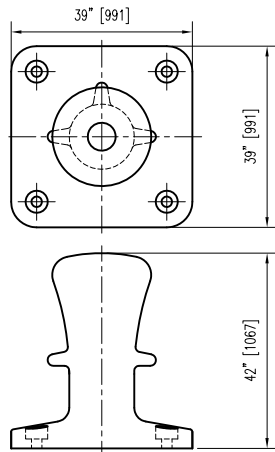


SB652

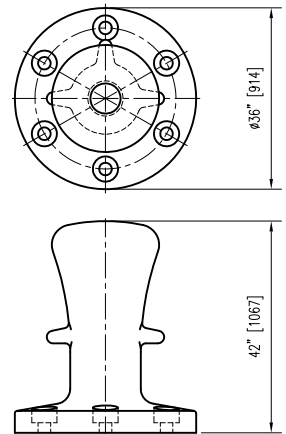




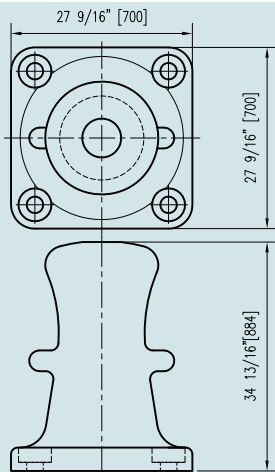
SB751



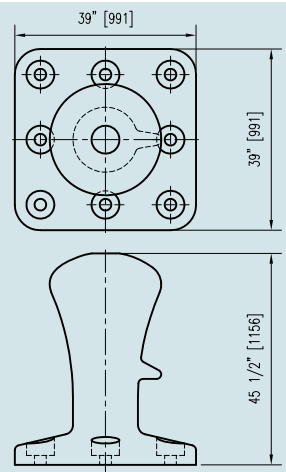
SB1002



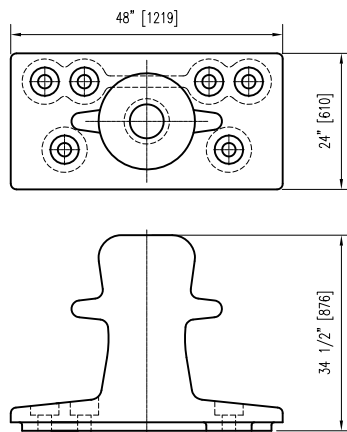
SB801



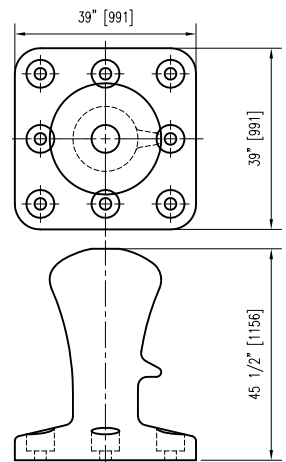
SB1003



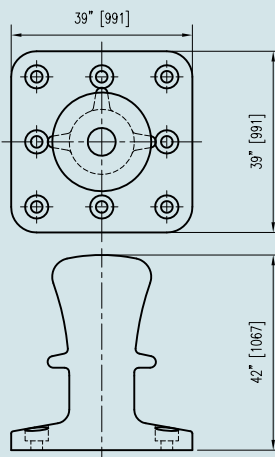
SB901



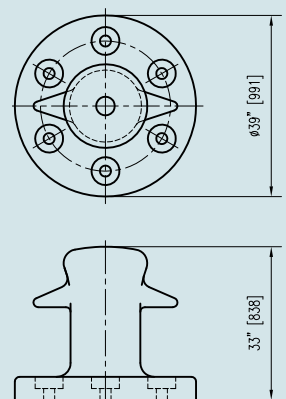
SB1004



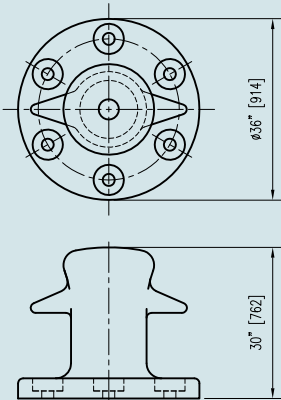
SB1001



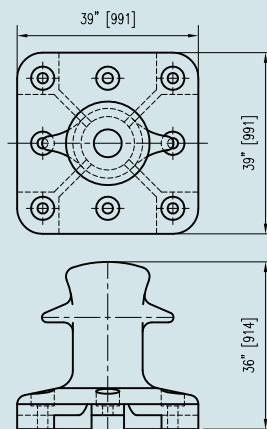
SB1005



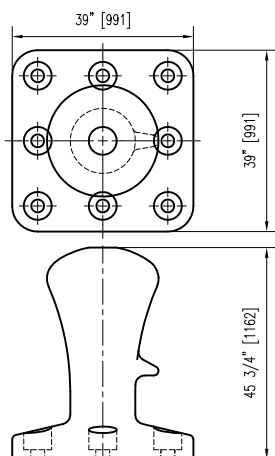
SB1006



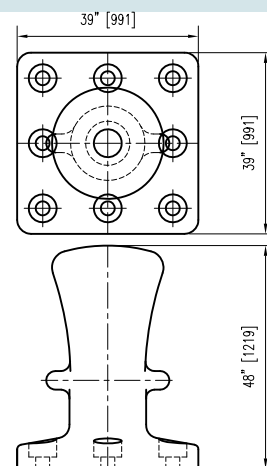
SB1251



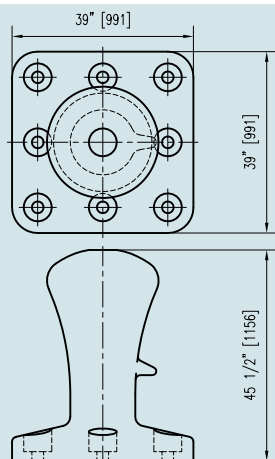
SB1007



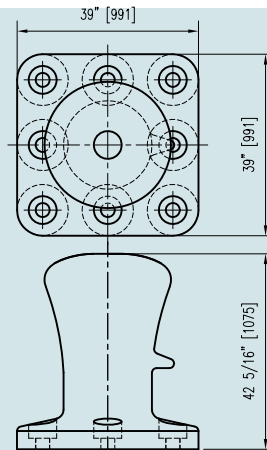
SB1501



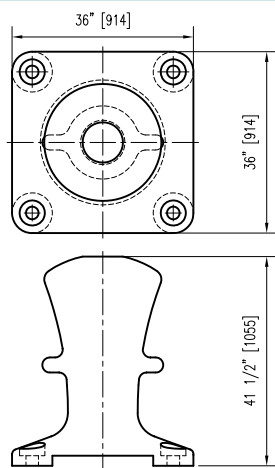
SB1008



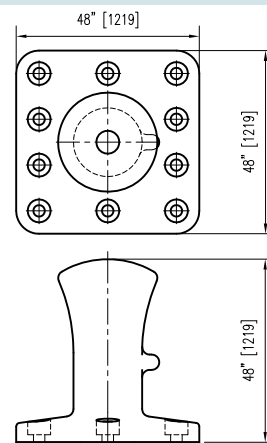
SB1751



SB1009

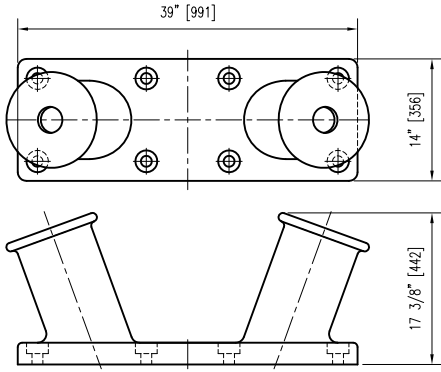


SB2251

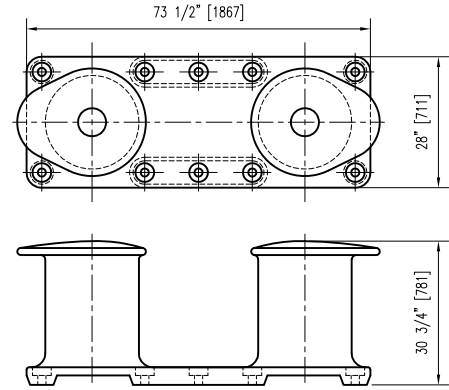




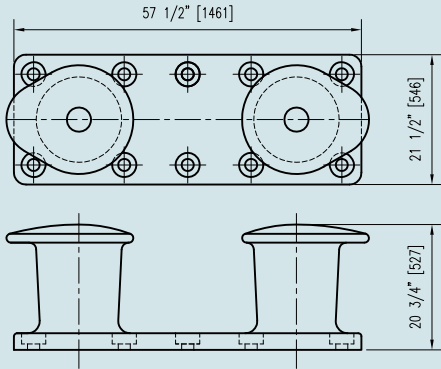
DB101



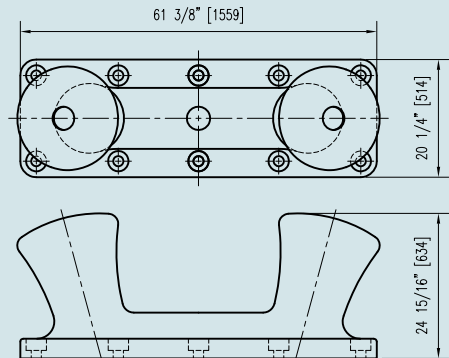
DB1002



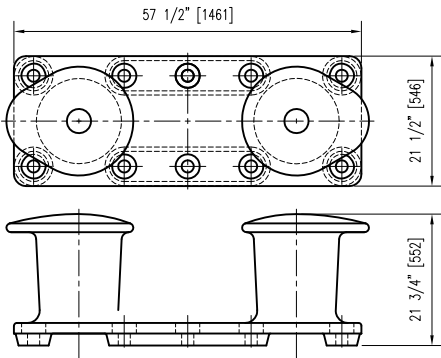
DB301



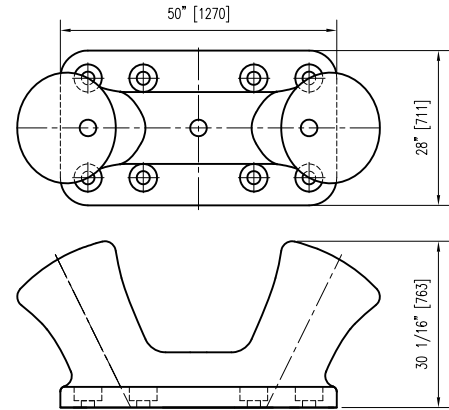
DB1003



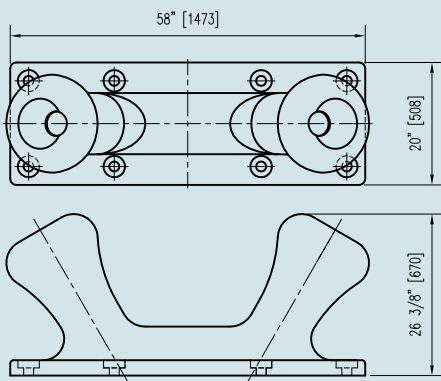
DB302



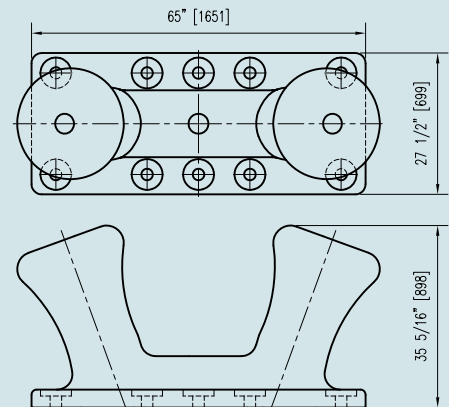
DB1501



DB1001



DB1751





WWW.MARITIME-INTERNATIONAL.COM

USA

PH: +1 337-321-4240
FX: +1 337-321-4241
USA@maritime-international.com

Middle East

PH: +971 6 747 9731
FX: +971 6 747 9732
MiddleEast@maritime-international.com

France

PH: +33 1 30 25 02 30
FX: +33 1 30 25 02 09
France@maritime-international.com

Latin America

PH: +1 337-321-4272
FX: +1 337-321-4241
LatAM@maritime-international.com

Europe

PH: +44 (0) 1579 382 469
FX: +44 (0) 870 706 2805
WesternEurope@maritime-international.com
EasternEurope@maritime-international.com

Belgium

PH: +32 2 375 36 16
FX: +32 2 375 09 47
info@maritime-international.com

China

PH: 86 10 88550346
FX: 86 10 88551702
info@maritime-international.com