



# MSB

---

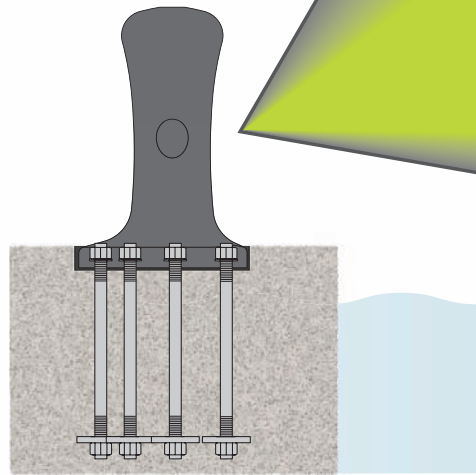
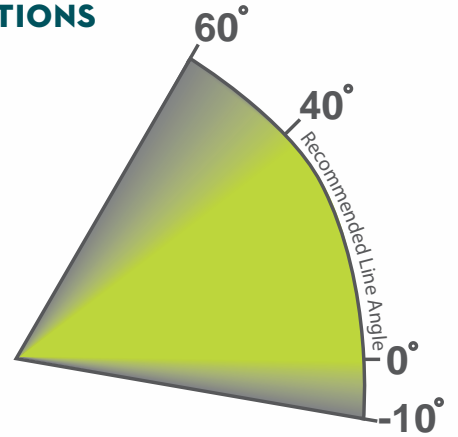
## SINGLE BITT

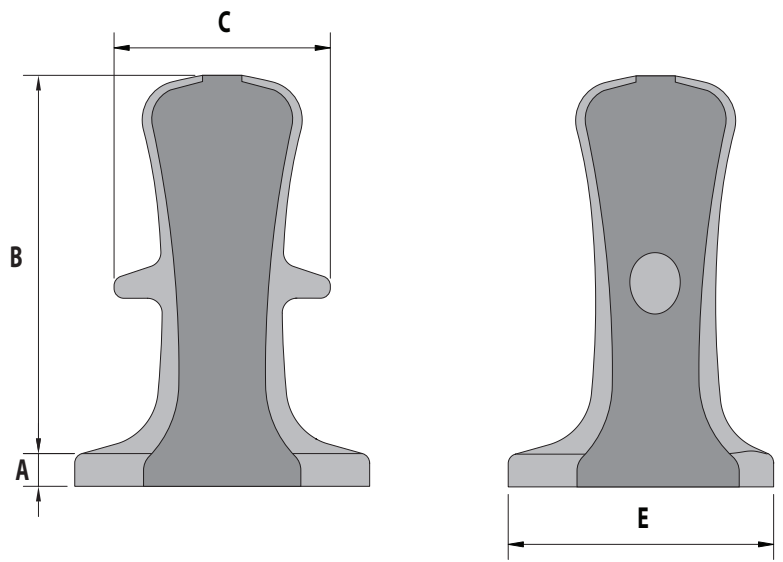
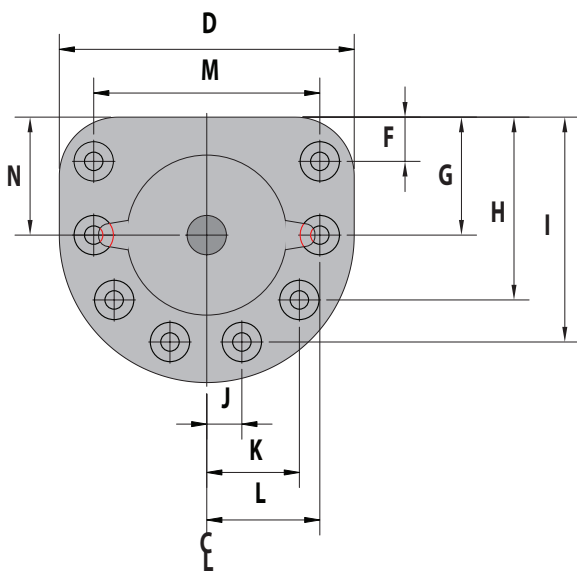
---

### BOLLARDS

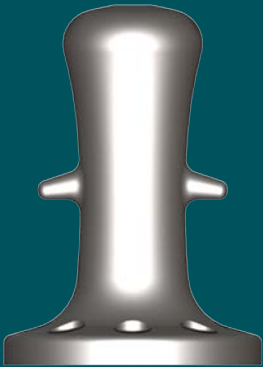


### LOAD ANGLE RECOMMENDATIONS





**DIMENSIONS AND CAPACITIES**



**Standard Bollard Capacity (Metric Tonnes)**

Imperial Dimensions (inches)	MSB 10	MSB 15	MSB 20	MSB 30	MSB 50	MSB 75	MSB 100	MSB 125	MSB 150	MSB 200
A	1-3/4	1-3/4	2-1/8	2-3/8	2-3/4	3-1/4	3-1/2	3-5/8	3-7/8	4-3/8
B	15-3/8	16-7/8	17-7/8	21-1/4	27	32-5/8	38-3/8	41-5/8	45-3/8	50
C	8-3/4	9-5/8	10-3/8	12-1/8	15-3/8	18-3/4	22	23-3/4	26	28-5/8
D	12-3/4	14-1/8	14-1/8	16-1/2	21	25-1/2	30	32-3/8	35-3/8	39
E	11-1/4	12-3/8	12-3/4	14-7/8	18-7/8	23	27	29-1/8	31-7/8	35-1/8
F	1-3/4	2	2-1/8	2-1/2	3-1/8	3-7/8	4-1/2	4-7/8	5-1/4	5-7/8
G	-	-	-	-	-	-	13	14	15-3/8	15-5/8
H	-	-	7-7/8	9-1/4	10-1/8	12-1/4	20-1/2	22-1/4	24-1/4	24-1/8
I	8	8-7/8	11	12-7/8	15-1/2	18-7/8	23-1/2	25-3/8	27-3/4	29-3/4
J	3-1/4	3-5/8	0	0	3-3/4	4-5/8	0	0	0	4-7/8
K	-	-	4-7/8	5-3/4	7-7/8	9-1/2	7-3/4	8-1/4	9-1/8	12-1/4
L	-	-	-	-	-	-	11-1/2	12-3/8	13-1/2	15
M	9-1/4	10-1/8	10-3/4	12-5/8	16-1/8	19-1/2	23	24-7/8	27-1/8	29-7/8
N	4-3/4	5-1/4	5-5/8	6-5/8	8-3/8	10-1/4	12	13	14-1/8	15-5/8
Bolt Size	1	1	1	1-1/4	1-3/8	1-3/4	1-3/4	2	2	2-1/4
Bolt Length	18	18	18	18	24	30	30	36	36	36
Bolt Qty	4	4	5	5	6	6	7	7	7	8

**Standard Bollard Capacity (Metric Tonnes)**

Metric Dimensions (mm)	MSB 10	MSB 15	MSB 20	MSB 30	MSB 50	MSB 75	MSB 100	MSB 125	MSB 150	MSB 200
A	44	44	54	60	70	82	89	92	98	111
B	390	429	454	540	686	829	925	1057	1153	1270
C	224	246	263	307	391	475	559	604	659	726
D	325	358	358	419	533	648	762	823	899	991
E	284	313	322	377	480	583	686	741	809	892
F	46	50	54	63	80	97	114	123	135	149
G	-	-	-	-	-	-	330	357	390	396
H	-	-	201	236	256	311	522	564	616	614
I	205	225	281	328	394	478	597	645	704	755
J	83	91	0	0	96	117	0	0	0	124
K	-	-	124	146	200	243	195	211	231	311
L	-	-	-	-	-	-	291	314	343	380
M	234	257	275	321	409	497	584	631	689	759
N	122	134	143	168	213	259	305	329	360	396
Bolt Size	M24	M24	M24	M30	M36	M42	M48	M48	M56	M56
Bolt Length	450	450	450	450	600	600	750	750	915	915
Bolt Qty	4	4	5	5	6	6	7	7	7	8