



VESSEL FENDERS



MARITIME
International

Choose with Confidence

Today's ships require up-to-date protection against impact during cargo transfer at sea, general tug operations, or berthing against a quay or jetty wall. Capital investment in both ships and docks is so great that it is of paramount importance that the marine fenders are highly considered. Proper fendering can assist owners to reduce maintenance costs and increase the life of important assets.

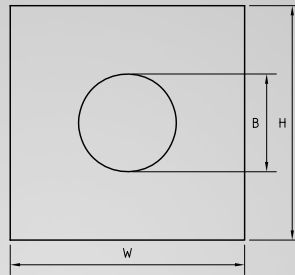
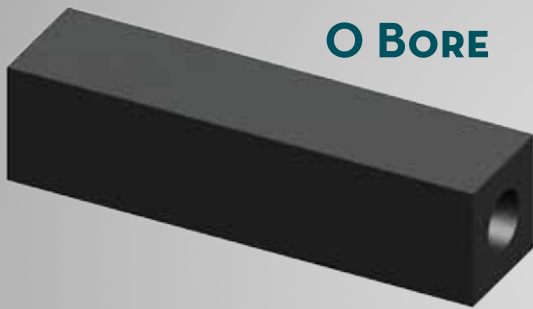
Maritime International offers a complete range of marine fenders, designed and engineered to provide the correct type of protection for every conceivable situation. The quality of our products is proven in installations worldwide.





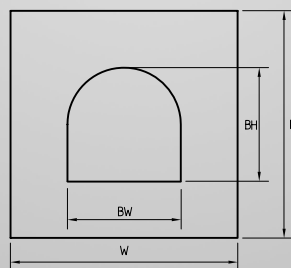
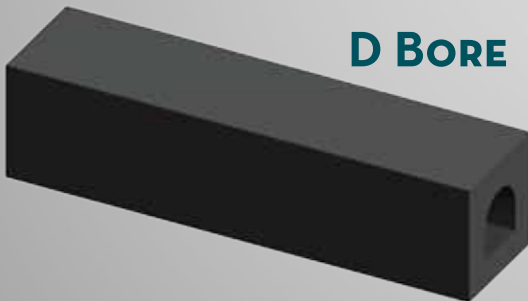
SQUARE SHAPE FENDERS

O BORE



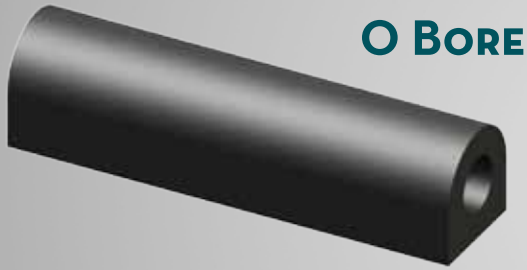
Height (H)		Width (W)		Bore (B)		Weight	
In	mm	in	mm	in	mm	lb/ft	kg/m
5	125	6.0	150	2.5	65	14.70	21.88
5	125	6.5	165	2.5	64	13.00	19.35
6	150	6.0	150	2.8	73	14.60	21.73
8	200	8.0	200	3.0	76	33.29	49.54
8	200	10.0	250	3.0	76	42.68	63.51
10	250	10.0	250	4.0	100	51.50	76.64
10	250	12.0	300	4.0	100	62.92	93.64
10	250	12.0	300	5.0	125	58.70	87.36
12	300	12.0	300	4.0	100	76.90	114.44
12	300	12.0	300	5.0	125	68.34	101.70
12	300	12.0	300	6.0	150	67.70	100.75
14	350	14.0	350	6.0	150	98.61	146.75

D BORE

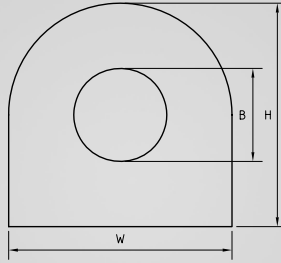


Height (H)		Width (W)		Bore Width (BW)		Bore Height (BH)		Weight	
In	mm	in	mm	in	mm	in	mm	lb/ft	kg/m
5	125	5	125	2.00	50	2.00	50	18.83	28.02
6	150	6	150	2.75	70	2.56	65	17.12	25.48
8	200	8	200	3.54	90	3.75	95	30.04	44.70
8	200	10	250	4.72	120	3.74	95	36.96	55.00
10	250	10	250	4.72	120	4.72	120	46.07	68.56
10	250	12	300	5.51	140	4.53	115	56.27	83.74
12	300	12	300	4.92	125	5.31	135	69.58	103.55
14	350	14	350	7.00	175	7.00	175	88.29	131.39

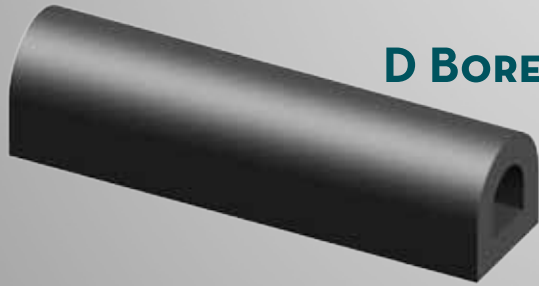
D SHAPE FENDERS



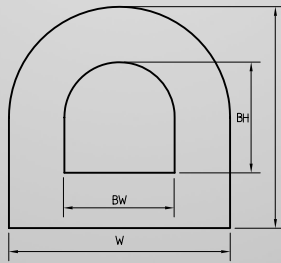
O BORE



Height (H)		Width (W)		Bore (B)		Radius		Weight	
In	mm	in	mm	in	mm	in	mm	lb/ft	kg/m
5	125	6	150	2.5	64	2.5	64	12.92	19.23
6	150	6	150	2.5	64	3.0	76	15.56	23.16
8	200	8	200	3.0	64	4.0	100	29.37	43.71
9	230	9	230	3.0	76	4.5	115	37.48	55.78
10	250	10	250	4.0	100	5.0	125	45.19	67.25
12	300	12	300	5.0	125	6.0	150	63.94	95.15
14	350	14	350	6.0	150	7.0	175	87.08	129.59

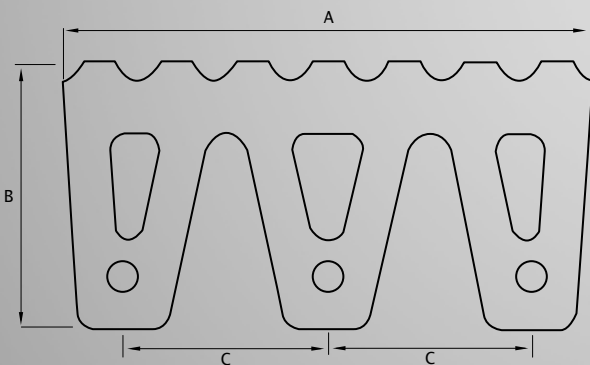
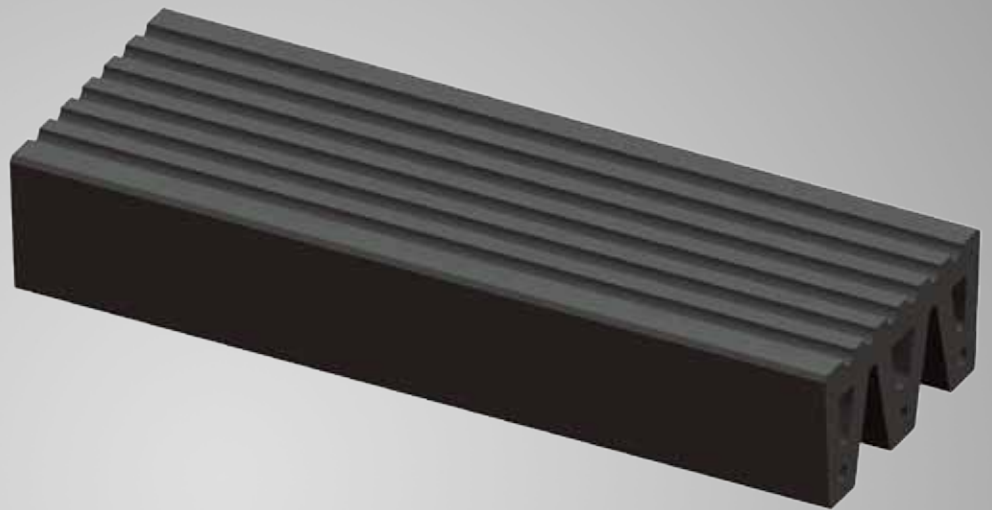


D BORE



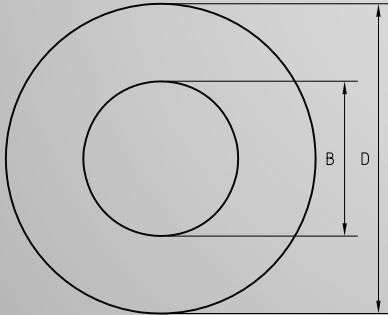
Height (H)		Width (W)		Bore Width (BW)		Bore Height (BH)		Weight	
In	mm	in	mm	in	mm	in	mm	lb/ft	kg/m
5	125	5	125	2.36	60	2.36	60	11.88	17.68
6	150	6	150	2.95	75	2.95	75	14.32	21.31
8	200	8	200	4.00	100	4.00	100	26.96	40.12
10	250	10	250	4.92	125	4.92	125	41.57	61.86
12	300	12	300	6.00	150	6.00	150	58.82	87.53
14	350	14	350	7.00	175	7.00	175	80.11	119.22

M SHAPE FENDERS



A		B		C		Weight	
In	mm	in	mm	in	mm	lb/ft	kg/m
15.75	400	7.87	200	5.91	150	37.63	56.00
19.69	500	9.84	250	7.48	190	59.81	89.01
23.62	600	11.81	300	9.06	230	88.70	132.00
31.50	800	15.75	400	12.01	305	157.91	235.00

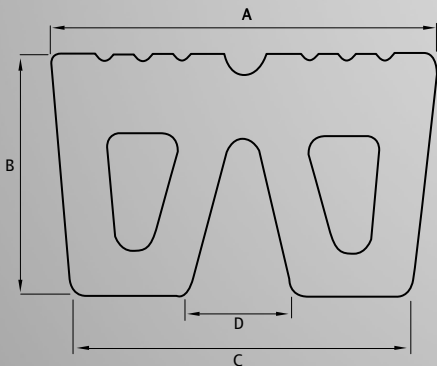
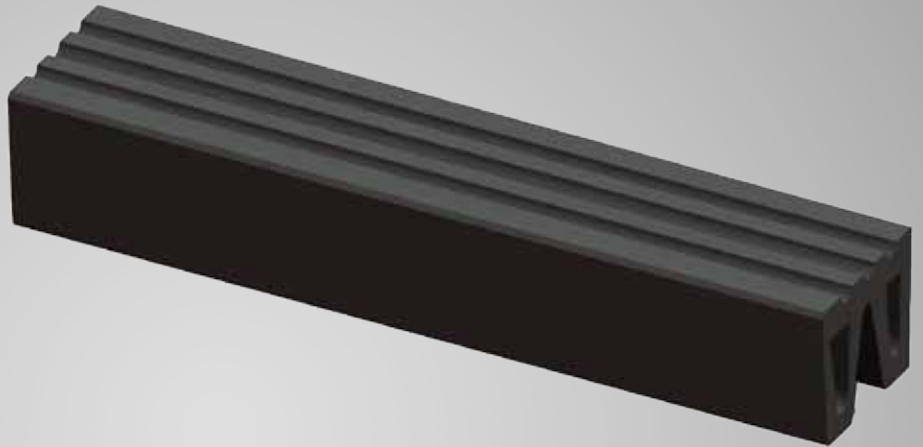
CYLINDRICAL FENDERS



OD (D)		ID (B)		Weight	
In	mm	in	mm	lb/ft	kg/m
6	150	3	75	12.4	18.45
8	200	4	100	22.1	32.89
10	250	5	125	34.5	51.34
12	300	6	150	49.6	73.81
14	350	7	175	67.5	100.45
16	400	8	200	88.2	131.26
18	450	9	225	111.6	166.08
20	500	10	250	137.8	205.07
24	600	12	300	198.3	295.10
28	700	14	350	270.2	402.10
30	760	15	380	310.1	461.48
40	1000	20	500	551.3	820.42

Tapered ends are available.
Contact Maritime International for more information

W SHAPE FENDERS



A		B		C		D		Weight	
In	mm	in	mm	in	mm	in	mm	lb/ft	kg/m
12.60	320	7.87	200	11.02	280	7.09	180	34.27	51.00
15.75	400	9.84	250	13.78	350	8.66	220	54.43	81.00
18.90	480	11.81	300	16.77	426	10.59	269	80.64	120.01
19.69	500	17.72	450	16.54	420	10.04	255	120.95	179.99



WWW.MARITIME-INTERNATIONAL.COM

USA

PH: +1 337-321-4240
FX: +1 337-321-4241
USA@maritime-international.com

Middle East

PH: +971 6 747 9731
FX: +971 6 747 9732
MiddleEast@maritime-international.com

France

PH: +33 1 30 25 02 30
FX: +33 1 30 25 02 09
France@maritime-international.com

Latin America

PH: +1 337-321-4272
FX: +1 337-321-4241
LatAM@maritime-international.com

Europe

PH: +44 (0) 1579 382 469
FX: +44 (0) 870 706 2805
WesternEurope@maritime-international.com
EasternEurope@maritime-international.com

Belgium

PH: +32 2 375 36 16
FX: +32 2 375 09 47
info@maritime-international.com

China

PH: 86 10 88550346
FX: 86 10 88551702
info@maritime-international.com