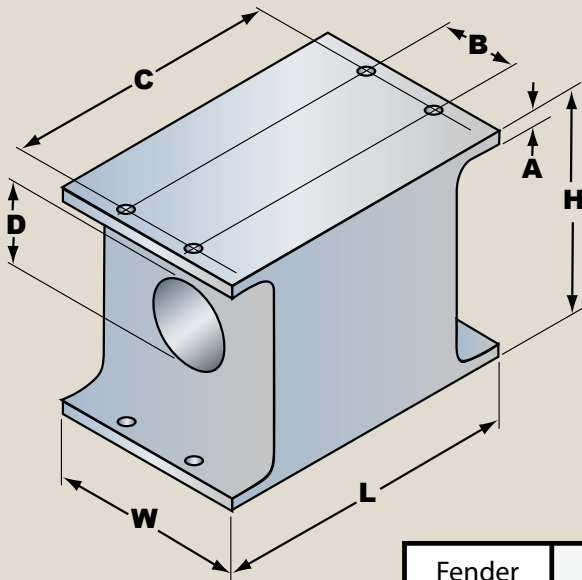


HSF SHEAR FENDERS

Maritime International, Inc. maintains a large inventory of high performance shear type fenders for quick call-out repair and replacement works. Our shear fenders are drop-in replacements for most existing installations and come in a variety of sizes 12" – 20".

Shear fenders are especially effective in docking facilities that cannot accept high berthing reactions. As indicated by the fender's name, they are designed to work in 'shear', in any direction and under compression. Our shear fenders are unique and effective when designed as an integral part of specific docking structures.



Fender Size	HSF12		HSF14		HSF16		HSF18		HSF20	
	mm	in	mm	in	mm	in	mm	in	mm	in
Height H	352	13-7/8	406	16	471	18-9/16	532	20-15/16	583	22-15/16
Width W	305	12	356	14	406	16	457	18	508	20
Length L	489	18-7/8	559	22	641	25-1/8	718	28-1/4	767	31-3/8
A	21	3/4	21	3/4	24	15/16	27	1-1/16	27	1-1/16
B	127	5	140	5-1/2	178	7	203	8	229	9
C	430	16-15/16	502	19-3/4	575	22-5/8	645	25-3/8	718	28-1/4
D	127	5	152	6	178	7	203	8	229	9
Hole Size For Bolt	22	7/8	22	7/8	22	7/8	25	1-1/8	25	1-1/8